



Industrial DashCam

DASHCAM FOR THE INDUSTRY

DASHCAM FOR THE INDUSTRY

Industrial DashCam

The Industrial DashCam – a small observer of your industrial processes: You want to know why the machine has slowed down its cycle? A machine component shows unusual behavior? Used in machines, production process and plants, the Industrial DashCam makes it possible to avoid unplanned production outages and costly downtime. Thanks to a ring memory, the IMAGO camera delivers a video of an incident before, during or after a signal is triggered. The camera is not only practical for machine condition monitoring but is also ideal for documenting final tests proving that the unit has left the factory in working order.

Key Features

- Powerful Standalone System
- Easy integration in existing environments with Rest API
- Diagnostic during operation
- Remote analysis
- Intuitive web interface for interaction with human user (HMI)
- Various Trigger modes
- Auto Trigger for easy automation
- Easy handling of parameters and settings



Sensor Option / CMOS - Global Shutter

Optical Size	1/3"	1/3"
Resolution	1920 x 1080 pixels	1920 x 1080 pixels
Pixel Size	2.8 µm	2.8 µm
Partial Scan	yes	yes
Color	mono	color

Processor / Storage

Type	Quad Core ARM Cortex-A53
Processor Clock	4 x 1.8 GHz
Mass Storage	1 x µSD Card ≥ 32 GB

Interfaces

Ethernet	1000 Mbit/s
Digital In/Out	2 x Input (24 V)

Lens Property

Lens Mount	S-Mount	S-Mount
Focal length	9mm	6mm
Field of View (H x V)	≈ 34° x ≈ 20°	≈ 53° x ≈ 29°

LED Strobe

LED Color	White
Quantity	4 x High-Brightness
Pulse Duration	Synchronized with shutter

Mechanical / Electrical

Dimension L x W x D	25 mm x 45 mm x 54 mm
Weight (without lens)	125 g (incl. Cable)
Temperature Range	+5 °C ... +40 °C
Ethernet Cable	0.5 m, M12 8 pin
I/O & Power Cable	0.5 m, M12 8 pin

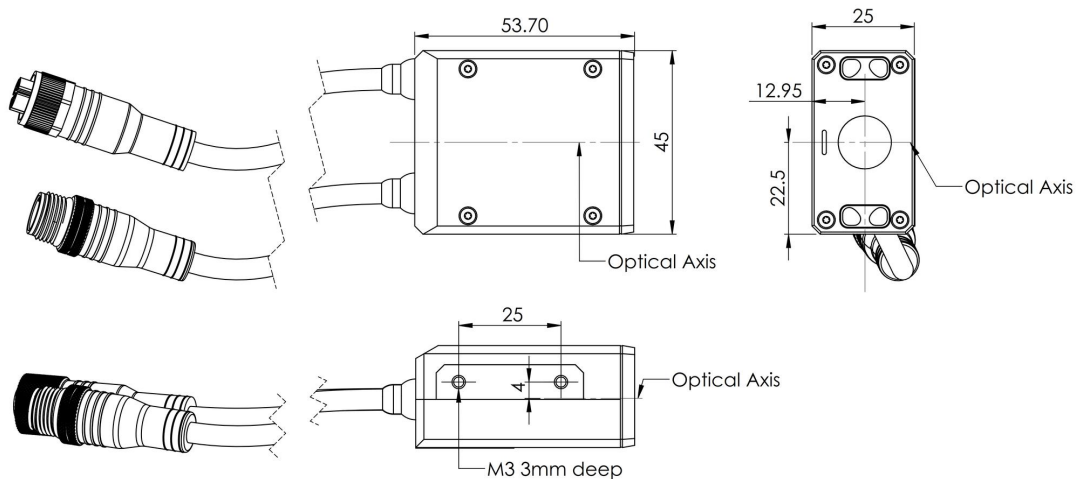
Recording

File Format	MPEG4 (H.264)
Recording Time	<= 300 s: past, future or a mix of both
Live View	Available via Web-interface
Overlay	On / Off (Dashcam ID & time stamp)

Framerate

FULL HD	≈ 60 fps
VGA	≈ 180 fps
QVGA	≈ 370 fps

Dimensional Drawing



The smartest embedded vision components

For more than 30 years, IMAGO has been supplying machine vision technology to machine builders to improve product quality, make processes smoother, avoid production errors, reduce manufacturing costs and make systems more efficient.



What we do

With the focus on what counts for our customers, we develop hardware components for industrial image processing. Be it in factory automation, the printing industry, for the food and beverage industry, pharmaceutical or logistics industry. IMAGO supplies vision systems, smart cameras, vision sensors and the appropriate software for the optimized use of our products. We pay special attention to miniaturization, high frame rates, increasing computing power and environmentally friendly power consumption. These characteristics already distinguish our products today.

And we are proud of them.